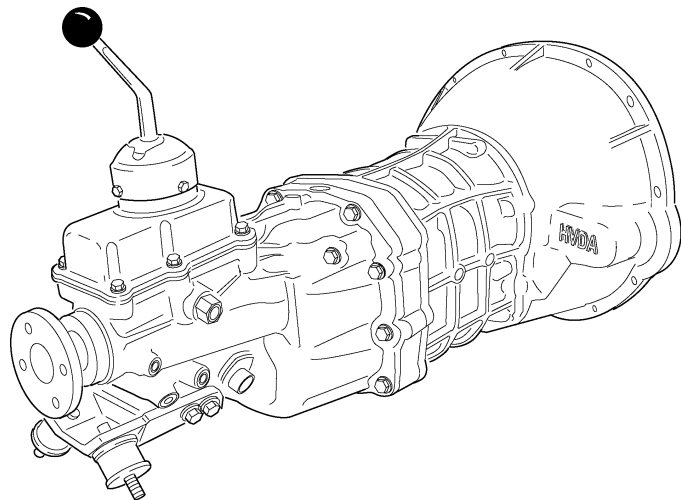


HVDA

TRIUMPH TRANSMISSION CONVERSIONS (5-Speed for TR2 thru TR6)



- 5 -Speed Transmission Conversions
- Hydraulic throw-out bearings for TR2 through TR6

Herman van den Akker

P.O. Box 6812

Pine Mountain Club, CA 93222-6812

Phone: (661) 242-1253

E-mail: handhvan@msn.com

www.hvdaconversions.com